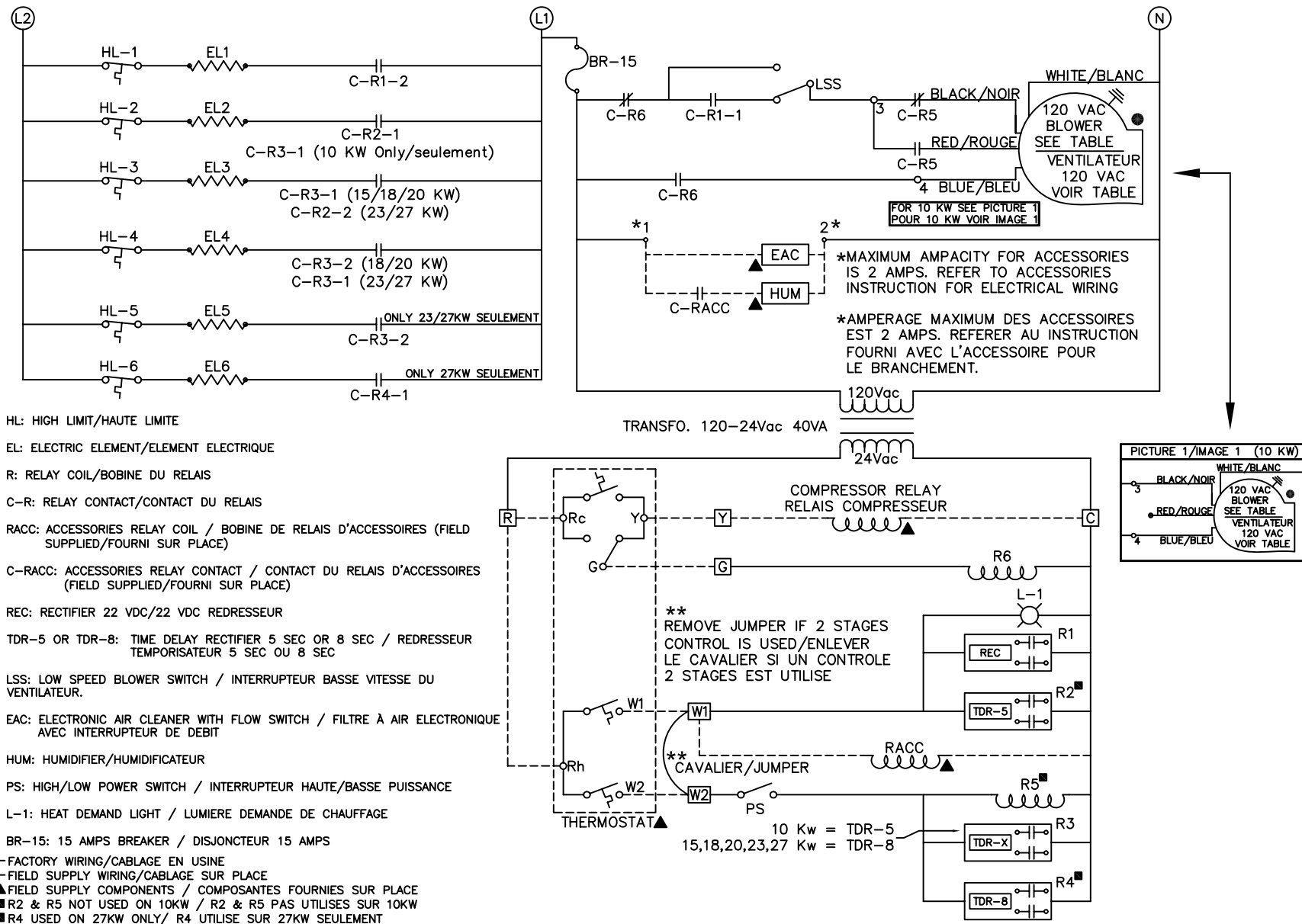
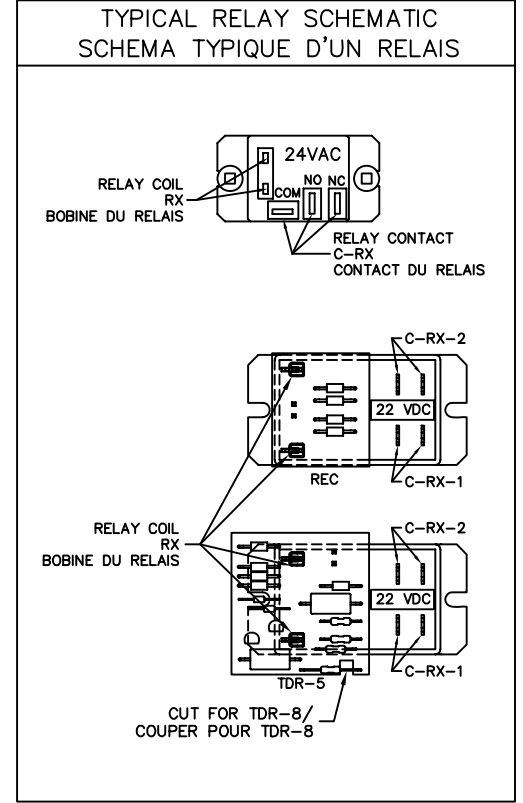


ELECTRICAL DIAGRAM (3 WIRES) / DIAGRAMME ELECTRIQUE (3 FILS)



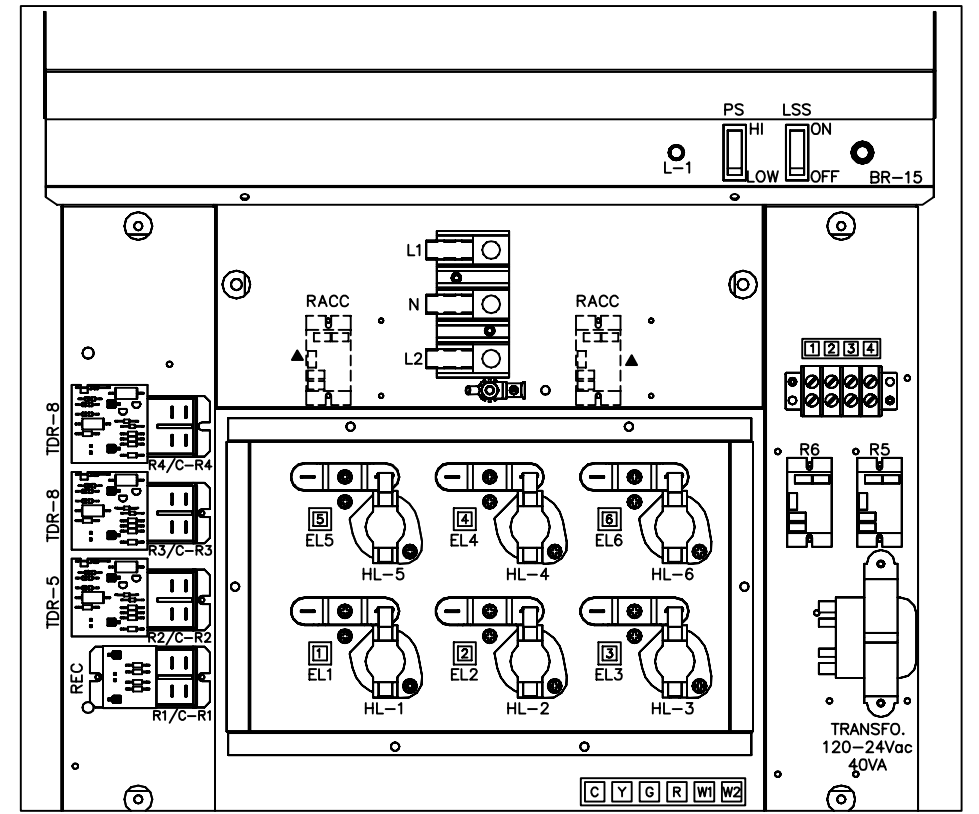
DNS-1206 Rev.A



AIR FLOW ADJ., HEAT MODE (ORANGE WIRE) / AJUSTEMENT D'AIR EN CHAUFFAGE (FIL ORANGE)				
FURNACE FOURNAISE	UNIT POWER PUISSANCE	MOTOR MOTEUR	STATIC PRESSURE PRESSION STATIQUE	BLOWER SPEED VITESSE MOTEUR
FEM10	10 KW	1/3 HP	0.2 w.c.	LOW
			0.5 w.c.	LOW
FEM15	15 KW	1/3 HP	0.2 w.c.	MED-LOW
			0.5 w.c.	MED-LOW
FEM18	18 KW	1/3 HP	0.2 w.c.	MED-LOW
			0.5 w.c.	MED-LOW
FEM20	20 KW	1/3 HP	0.2 w.c.	MED-LOW
			0.5 w.c.	MED-HIGH
FEM23	23 KW	1/3 HP	0.2 w.c.	MED-HIGH
			0.5 w.c.	MED-HIGH
FEM20	20 KW	1.0 HP	0.2 w.c.	MED-LOW
			0.5 w.c.	MED-LOW
FEM23	23 KW	1.0 HP	0.2 w.c.	MED-LOW
			0.5 w.c.	MED-LOW
FEM27	27 KW	1.0 HP	0.2 w.c.	MED-LOW
			0.5 w.c.	MED-LOW

AIR FLOW ADJ., COOLING MODE (BLUE WIRE) / AJUSTEMENT D'AIR EN CLIMATISATION (FIL BLEU)				
FURNACE FOURNAISE	MOTOR MOTEUR	COOLING CAPACITY PUISS. CLIMATISATION (0.5" w.c.)	BLOWER SPEED VITESSE MOTEUR	
FEM10, 15, 18, 20 AND 23	1/3 HP	1.5	LOW	
		2.0	MED-LOW	
		2.5	MED-HIGH	
		3.0	HIGH	
FEM20, 23 AND 27	1.0 HP	2.5	LOW	
		3.0	MED-LOW	
		3.5	MED-HIGH	
		4.0	HIGH	
		5.0	HIGH	

REFER ALSO TO INSTRUCTION MANUAL / REFERER AUSSI AU MANUEL D'INSTRUCTION



DNS-1206 Rev.A